

SMALL SIGNAL AMPLIFIER

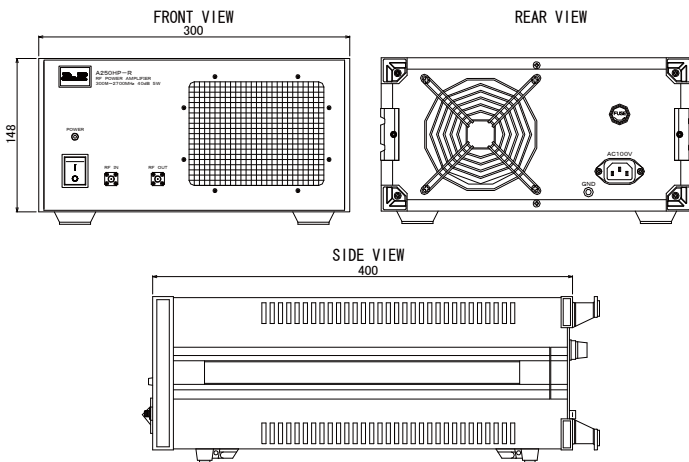


R&K-A250HP-R



OUTLINE DRAWING

※IN MILLIMETERS



- All-Solid-State Amplifier
- Frequency Range : 300MHz ~ 2700MHz
- Output Power : 5W (typ.)

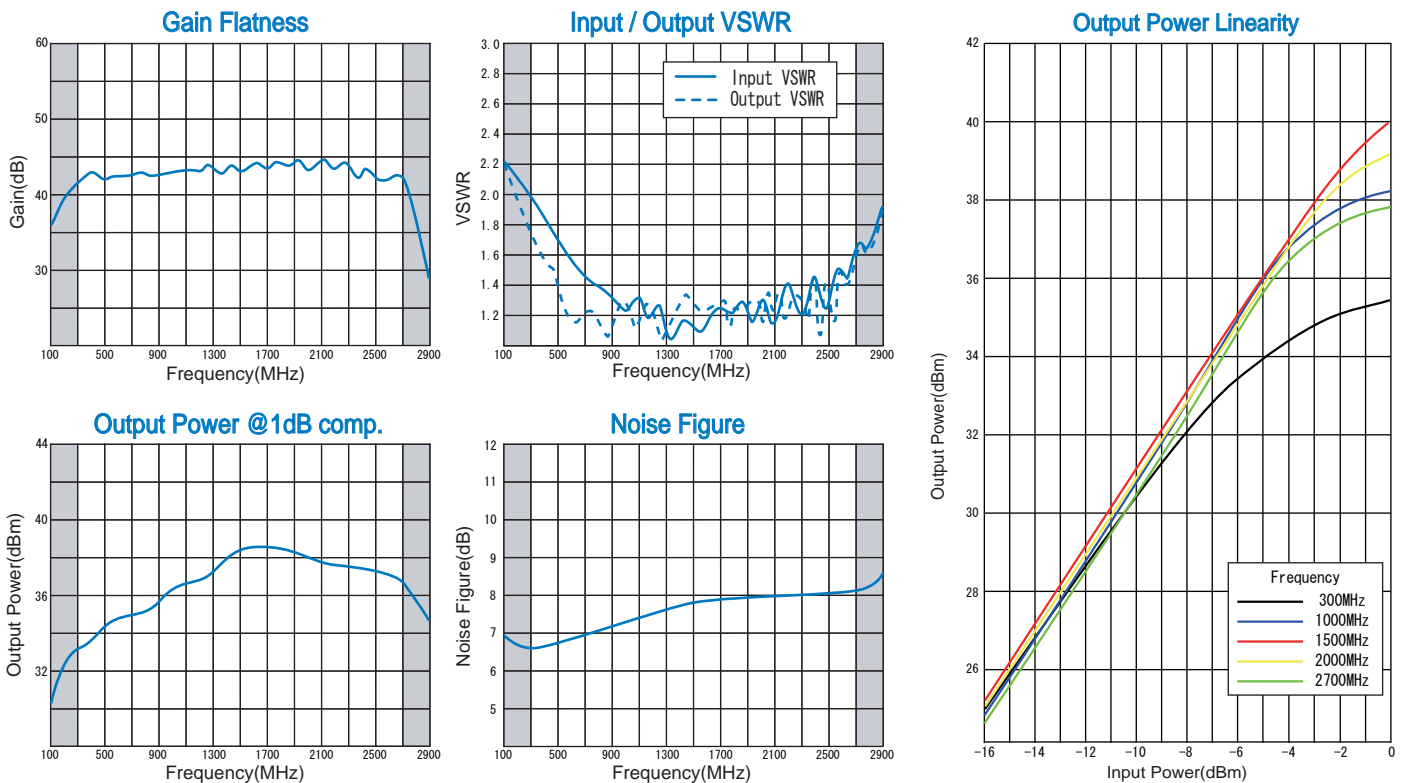
SPECIFICATIONS @ +25°C

Frequency Range	: 300MHz ~ 2700MHz
Small Signal Gain	: +40.0dB (min.)
Gain Flatness	: ±2.0dB (max.)
Output Power (@1dB Comp.)	: 1.5W (min.) @300MHz ~ 500MHz : 2.5W (min.) @500MHz ~ 1000MHz : 4.0W (min.) @1000MHz ~ 2700MHz
Output I.C.P	: +48.0dBm (typ.)
Noise Figure	: 8.0dB (typ.)
Harmonics	: -18.0dBc (max.) @Po=1W
Spurious	: -60.0dBc (max.) @Po=1W
Operation Mode	: Class A
Impedance	: 50Ω
Input VSWR	: 1.5 (typ.)
Output VSWR	: 1.3 (typ.)
AC Supply Input	: AC100V ± 10% / 1φ, 50/60Hz, 600VA
Maximum RF Input Power	: 0dBm
Operating Temperature	: -10°C to +45°C
Storage Temperature	: -15°C to +65°C
Connectors	
RF - IN	: SMA - FEMALE
RF - OUT	: SMA - FEMALE
Size	: (W)300mm×(D)400mm×(H)148mm
Weight	: 15.0kg (max.)
Cooling	: Forced Air Cooling

HOW TO ORDER

Model Name
R&K-A250HP-R No Option

TYPICAL PERFORMANCE (Temp @+25°C)



R&K reserves the right to make changes in the specifications of or discontinue products at any time without notice. R&K products shall not be used for or in connection with equipment that requires an extremely high level of reliability and safety such as aerospace uses or medical life support equipment. Further, R&K cannot export products to any country for use in military or defense applications.

R&K Company Limited

721-1 Maeda, Fuji-City, Shizuoka-Pref. 416-8577 Japan
Tel: +81-545-31-2600 E-mail: info@rkco.jp
Fax: +81-545-31-1600 URL: http://rk-microwave.com