

Product Brief

Four-Channel Down-sampling Receiver **APCON4**

The AnaPico APCON4 is a multi-channel sampling down-converter with a low-jitter milli-Hz-resolution local oscillator synthesizer. It is built in a modular rack and can be supplied with one to four sampling channels for RF input frequencies up to 35 GHz.

The sampling system is controlled via a LAN (RJ-45) interface and can be locked to an external reference (1 to 200 MHz).

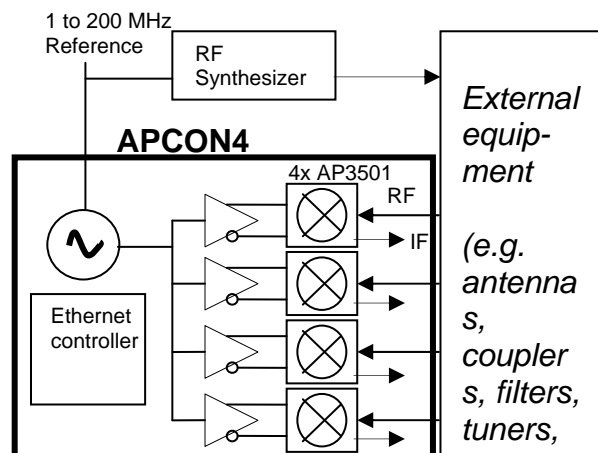


Key Features

- Sampling rates up to 1000 MS/s
- Based on AP3501 35 GHz sampler
- Supports any reference frequency from 1 to 200 MHz
- 50 R input / output impedance
- Synchronised ADC clock output
- Compact and modular design

• Applications

- UWB signal analysis
- Down-sampling receivers
- Vector network analyzers
- Sampling frequency converters



Block Diagram of APCON4